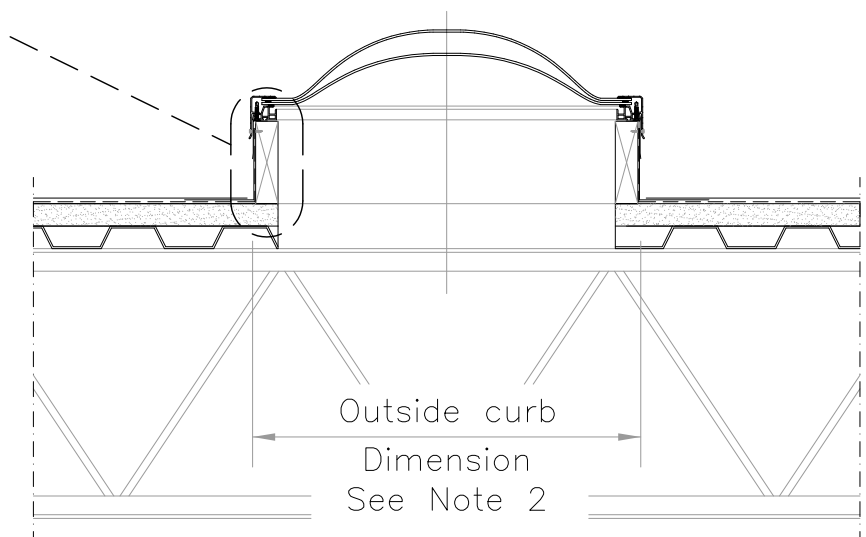


SECTION A-A



SECTION B-B

GENERAL NOTES

1. The CMA skylight installs directly on site built or prefabricated curbs.
2. Skylights available at custom sizes up to 102"x150". VELUX requires outside curb dimensions (including flashing) for CMA skylights.
3. #8 or larger stainless steel, self-drilling fasteners, appropriate for supporting structure. Provided by others.

	VELUX 1418 Evans Pond Road Greenwood, SC 29649 1-800-88-VELUX www.VELUXUSA.com	<table border="1"> <tr> <td>Name</td> <td>Date</td> </tr> <tr> <td>JDH</td> <td>Nov 2013</td> </tr> </table>	Name	Date	JDH	Nov 2013
	Name	Date				
JDH	Nov 2013					
Sky-Product Management	<table border="1"> <tr> <td>Checked by</td> <td>Nov 2013</td> </tr> <tr> <td>CJ, JL</td> <td></td> </tr> </table>	Checked by	Nov 2013	CJ, JL		Drawing No. CMA-02-1113
Checked by	Nov 2013					
CJ, JL						
VELUX CMA Metro-Lite Commercial Curb Mount Fixed Skylight						

This drawing is an instrument of service and is provided for informational use only.