

# General Notes

1. This drawing emphasizes the TGC low profile pan flashed VELUX SUN TUNNEL Skylight. It illustrates a general arrangement layout (plus recommendations) for a VELUX TGC installation in a 0–60 degree roof pitch application utilizing either a suspended acoustical tile or grid ceiling installation.

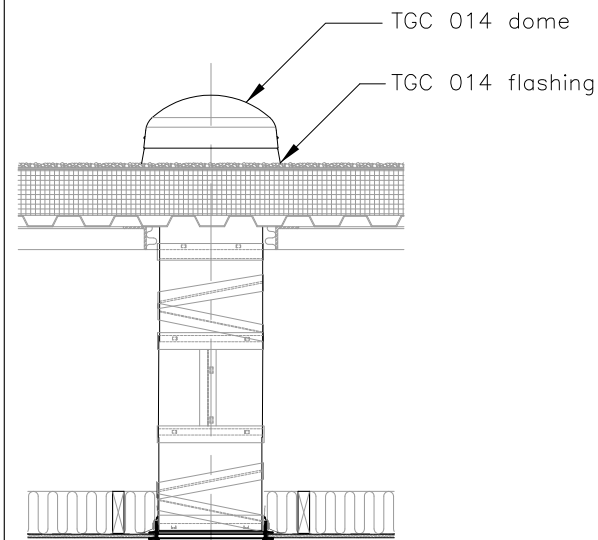
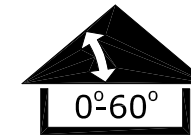
2. The architectural/structural design and specifications for the inclusion of a tubular daylighting device, such as the VELUX TGC, in any roofing/ceiling application is determined and provided by others. The design criteria includes, but is not limited to design loads, structural configurations, structural framing member sizes and material, architectural finishes and integration with the roofing/ceiling systems of the building. VELUX assumes no responsibility or liability in the design, construction and performance of a building structure by others.

3. Dimensions shown are nominal, unless indicated otherwise.

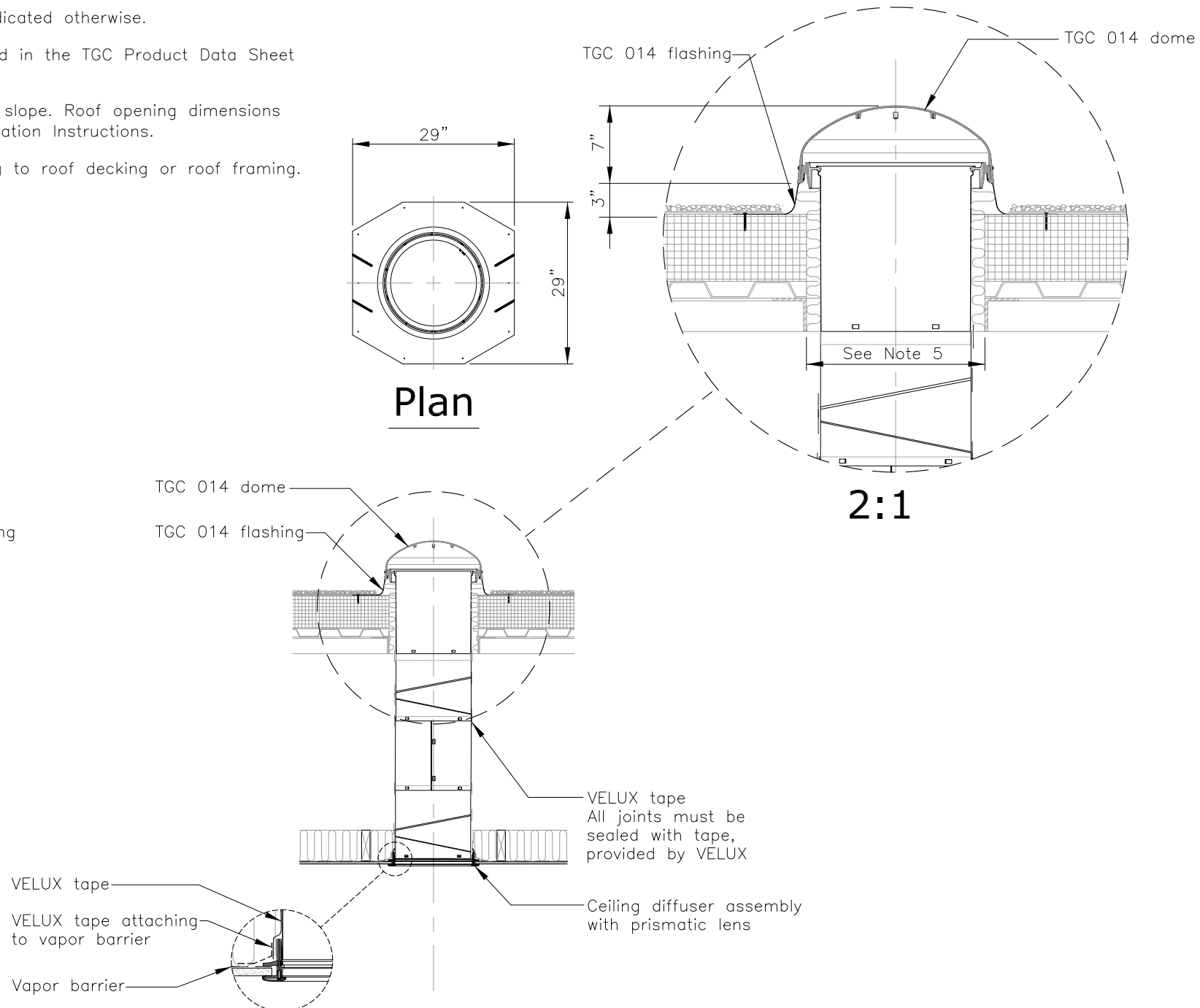
4. Product specific dimensions are referenced in the TGC Product Data Sheet documentation.

5. Rough opening dimensions vary with roof slope. Roof opening dimensions are referenced in the TGC/TMC + TTK Installation Instructions.

6. VELUX recommends fastening TGC flashing to roof decking or roof framing.

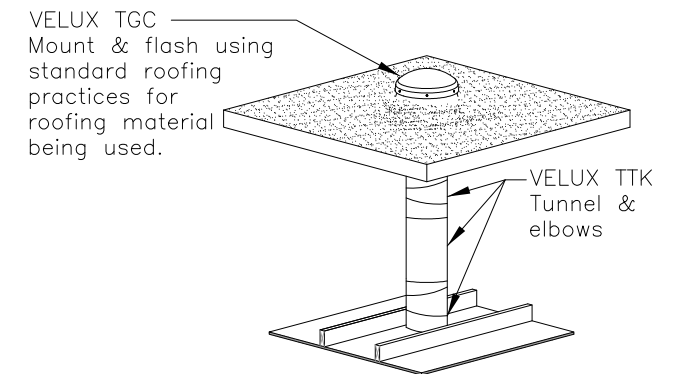


**Elevation**



**Cross Section**

TGC 014 Components	Quantity
<b>TGC 014 0000</b> <ul style="list-style-type: none"> <li>Acrylic Dome</li> <li>Counter flashing assembly</li> <li>Top collar (16"/.41m)</li> <li>Hardware bag</li> </ul>	
<ul style="list-style-type: none"> <li>Option                             <ul style="list-style-type: none"> <li>TGC 014 1000 – Impact Polycarbonate dome</li> </ul> </li> </ul>	
<b>TTK 014</b> <ul style="list-style-type: none"> <li>24"/.61m Rigid tunnel</li> <li>(2) 12"/.30m Rigid elbows</li> <li>Tape for tunnel joints</li> <li>Hardware bag</li> </ul>	
<b>THC 014 0002</b> <ul style="list-style-type: none"> <li>Ceiling diffuser assembly with prismatic diffuser</li> <li>Tape for tunnel joints</li> <li>Gasket material for diffuser</li> <li>Hardware bag</li> </ul>	
<ul style="list-style-type: none"> <li>Options                             <ul style="list-style-type: none"> <li>THC 014 0001 – Frosted diffuser</li> <li>THC 014 0003 – Fresnel diffuser</li> </ul> </li> </ul>	
<b>Option: ZTR 014</b> <ul style="list-style-type: none"> <li>ZTR 014 0004 48"/1.22m Rigid tunnel</li> <li>ZTR 014 0006 72"/1.83m Rigid tunnel</li> </ul>	



**General Arrangement Layout**

	VELUX 1418 Evans Pond Road Greenwood, SC 29649 1-800-88-VELUX www.VELUXUSA.com	Name JDH	Date May 2014
	Commercial SUN TUNNEL Skylight TGC 014 w/ TTK 014, THC 014 (TGC 014 0002TH/TGC 014 1002TH)	Checked by JL,CJ	May 2014

This drawing is an instrument of service and is provided for informational use only.